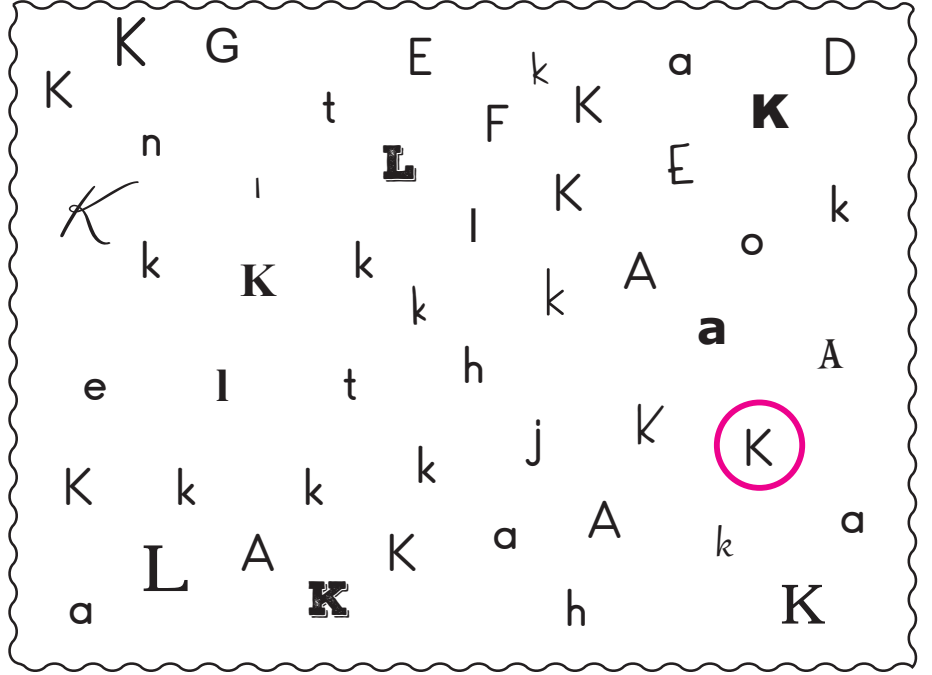
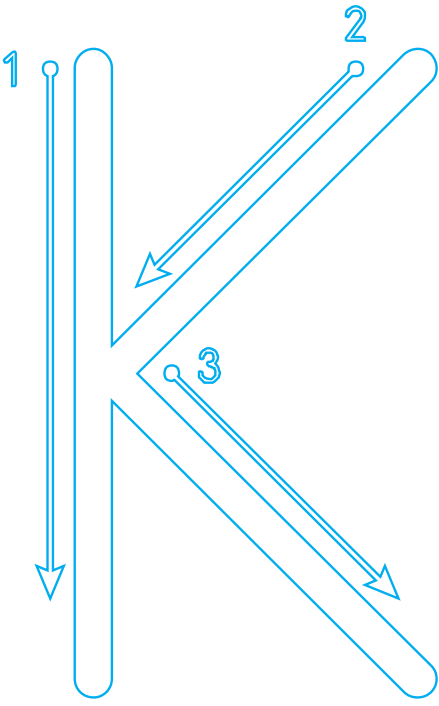


"K" harflerini örnekteki gibi yuvarlak içine al.



Büyük "K" harfinin yazılışını inceleyiniz. Ardından "K" harflerini yazınız.

Handwriting practice lines for the letter 'K'. Each line starts with a small house icon and contains a series of dashed 'K' characters for tracing. The first line has 12 dashed 'K's, and the subsequent lines have 11 dashed 'K's each.