

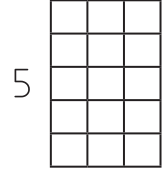
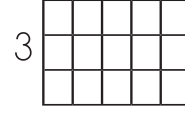
ÇARPANLARIN YERİNİ DEĞİŞTİRME



Bir çarpma işleminde çarpanların yerinin değişmesi sonucu değiş-tirmez.

$$3 \times 5 = 15$$

$$5 \times 3 = 15 \rightarrow 5 \times 3 = 3 \times 5$$



● Aşağıdaki noktalı alanları örnekteki gibi dol-durunuz.

a. $7 \times 3 = \dots 3 \dots \times \dots 7 \dots = 21$

b. $5 \times 4 = \dots \times \dots = \dots$

c. $6 \times 2 = \dots \times \dots = \dots$

d. $7 \times 4 = \dots \times \dots = \dots$

e. $1 \times 6 = \dots \times \dots = \dots$

f. $4 \times 3 = \dots \times \dots = \dots$

g. $6 \times 3 = \dots \times \dots = \dots$

h. $0 \times 4 = \dots \times \dots = \dots$

ı. $9 \times 3 = \dots \times \dots = \dots$

i. $10 \times 2 = \dots \times \dots = \dots$

j. $5 \times 4 = \dots \times \dots = \dots$

k. $9 \times 2 = \dots \times \dots = \dots$

l. $8 \times 5 = \dots \times \dots = \dots$

m. $10 \times 1 = \dots \times \dots = \dots$

n. $4 \times 2 = \dots \times \dots = \dots$

o. $6 \times 1 = \dots \times \dots = \dots$

ö. $1 \times 8 = \dots \times \dots = \dots$

p. $6 \times 0 = \dots \times \dots = \dots$

r. $2 \times 4 = \dots \times \dots = \dots$

s. $9 \times 4 = \dots \times \dots = \dots$

ş. $0 \times 1 = \dots \times \dots = \dots$

t. $3 \times 1 = \dots \times \dots = \dots$

u. $8 \times 4 = \dots \times \dots = \dots$

● Aşağıda verilen eşitlikleri inceleyiniz. Buna göre verilmeyen sayıları örnekteki gibi yazınız.

a. $4 \times \dots 5 \dots = 5 \times 4$

b. $6 \times 3 = 3 \times \dots$

c. $7 \times 2 = \dots \times 7$

d. $\dots \times 4 = 4 \times 6$

e. $8 \times 2 = 8 \times \dots$

f. $9 \times \dots = 5 \times 9$

g. $\dots \times 8 = 8 \times 1$

h. $2 \times 9 = 9 \times \dots$

ı. $0 \times 5 = \dots \times 0$

i. $9 \times \dots = 4 \times 9$

j. $5 \times \dots = 2 \times 5$

k. $8 \times 3 = \dots \times 8$

l. $\dots \times 4 = 4 \times 0$

m. $2 \times \dots = 1 \times 2$

n. $10 \times \dots = 5 \times 10$

o. $2 \times 9 = \dots \times 2$

ö. $6 \times \dots = 3 \times 6$

p. $\dots \times 0 = 0 \times 10$

r. $8 \times \dots = 5 \times 8$

s. $\dots \times 6 = 6 \times 5$

ş. $7 \times \dots = 2 \times 7$

t. $3 \times \dots = 5 \times 3$

u. $9 \times 1 = \dots \times 9$

ÇARPMA DA 1'İN VE 0'İN ETKİSİ



Bir doğal sayının 1 ile çarpımı, doğal sayının kendisine eşit olur.

→ $9 \times 1 = 9$ → $6 \times 1 = 6$ → $24 \times 1 = 24$

Bir doğal sayının 0 ile çarpımı 0'dır.

→ $6 \times 0 = 0$ → $9 \times 0 = 0$ → $15 \times 0 = 0$

● Aşağıda verilen çarpma işlemlerini yapınız.

→ $6 \times 1 = \dots\dots$ → $5 \times 1 = \dots\dots$ → $10 \times 1 = \dots\dots$ → $0 \times 1 = \dots\dots$
→ $1 \times 8 = \dots\dots$ → $1 \times 9 = \dots\dots$ → $1 \times 1 = \dots\dots$ → $11 \times 1 = \dots\dots$
→ $7 \times 1 = \dots\dots$ → $3 \times 1 = \dots\dots$ → $1 \times 4 = \dots\dots$ → $1 \times 2 = \dots\dots$

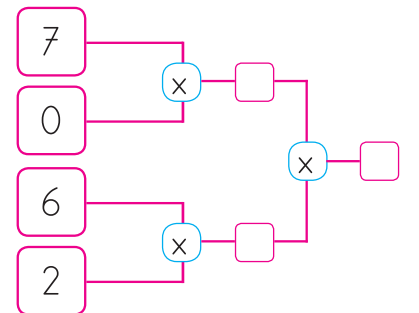
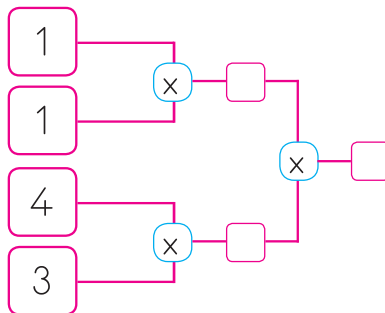
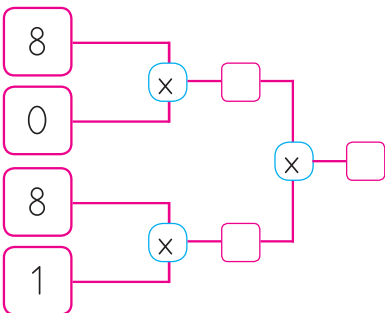
● Aşağıda verilen çarpma işlemlerini yapınız.

→ $6 \times 0 = \dots\dots$ → $5 \times 0 = \dots\dots$ → $10 \times 0 = \dots\dots$ → $12 \times 0 = \dots\dots$
→ $0 \times 8 = \dots\dots$ → $0 \times 9 = \dots\dots$ → $1 \times 0 = \dots\dots$ → $10 \times 0 = \dots\dots$
→ $7 \times 0 = \dots\dots$ → $3 \times 0 = \dots\dots$ → $0 \times 4 = \dots\dots$ → $0 \times 2 = \dots\dots$








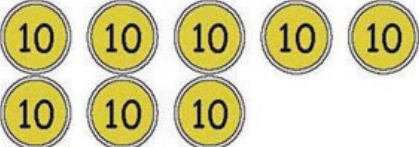
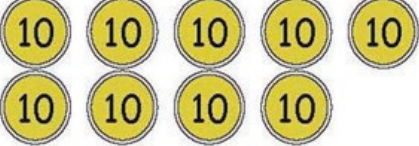
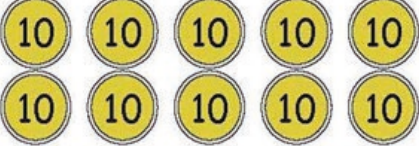
● Aşağıda tablodaki boş borakılan yerleri tamamlayınız.

x	0	6	5	9	7	3	2	1	8	4	10
0	0			0			0				0
1	0		5						8		

● Aşağıda verilen şemalara göre kutulara gelecek sayıları bulunuz.



10 İLE KISA YOLDAN ÇARPMA

	$1 \times 10 = \underline{\quad}$		$2 \times 10 = \underline{\quad}$
	$3 \times 10 = \underline{\quad}$		$4 \times 10 = \underline{\quad}$
	$5 \times 10 = \underline{\quad}$		$6 \times 10 = \underline{\quad}$
	$7 \times 10 = \underline{\quad}$		$8 \times 10 = \underline{\quad}$
	$9 \times 10 = \underline{\quad}$		$10 \times 10 = \underline{\quad}$

- | | |
|---------------------------------------|---|
| 1) $10 \times 5 = \underline{\quad}$ | 16) $\underline{\quad} \times 10 = 70$ |
| 2) $2 \times 10 = \underline{\quad}$ | 17) $\underline{\quad} \times 10 = 0$ |
| 3) $4 \times 10 = \underline{\quad}$ | 18) $10 \times \underline{\quad} = 40$ |
| 4) $7 \times 10 = \underline{\quad}$ | 19) $10 \times \underline{\quad} = 80$ |
| 5) $10 \times 1 = \underline{\quad}$ | 20) $\underline{\quad} \times 10 = 30$ |
| 6) $8 \times 10 = \underline{\quad}$ | 21) $\underline{\quad} \times 10 = 60$ |
| 7) $10 \times 6 = \underline{\quad}$ | 22) $10 \times \underline{\quad} = 20$ |
| 8) $10 \times 10 = \underline{\quad}$ | 23) $10 \times \underline{\quad} = 50$ |
| 9) $9 \times 10 = \underline{\quad}$ | 24) $\underline{\quad} \times 10 = 100$ |
| 10) $10 \times 3 = \underline{\quad}$ | 25) $\underline{\quad} \times 10 = 90$ |
| 11) $10 \times 7 = \underline{\quad}$ | 26) $10 \times \underline{\quad} = 70$ |
| 12) $6 \times 10 = \underline{\quad}$ | 27) $\underline{\quad} \times 10 = 10$ |
| 13) $5 \times 10 = \underline{\quad}$ | 28) $10 \times \underline{\quad} = 60$ |
| 14) $10 \times 8 = \underline{\quad}$ | 29) $\underline{\quad} \times 10 = 80$ |
| 15) $10 \times 2 = \underline{\quad}$ | 30) $10 \times \underline{\quad} = 90$ |

Zihinden Çarpma Etkinlikleri

$...3... \times 10 = 30$

$..8.. \times 10 = 80$

$..12. \times 10 = 120$

$..9.. \times 10 = 90$

$..... \times 10 = 110$

$..... \times 10 = 60$

$..... \times 10 = 190$

$..... \times 10 = 60$

$..... \times 10 = 130$

$..... \times 10 = 30$

$..... \times 10 = 70$

$..... \times 10 = 120$

$..... \times 10 = 150$

$..... \times 10 = 70$

$..... \times 10 = 40$

$... \times 10 = 200$

$..... \times 10 = 160$

$..... \times 10 = 90$

$..... \times 10 = 20$

$..... \times 10 = 210$

$..... \times 10 = 140$

$..... \times 10 = 80$

$..... \times 10 = 50$

$..... \times 10 = 180$

$..... \times 10 = 170$

$..... \times 10 = 60$

$..... \times 10 = 40$

$... \times 10 = 230$

$..... \times 10 = 160$

$..... \times 10 = 80$

$..... \times 10 = 70$

$..... \times 10 = 90$

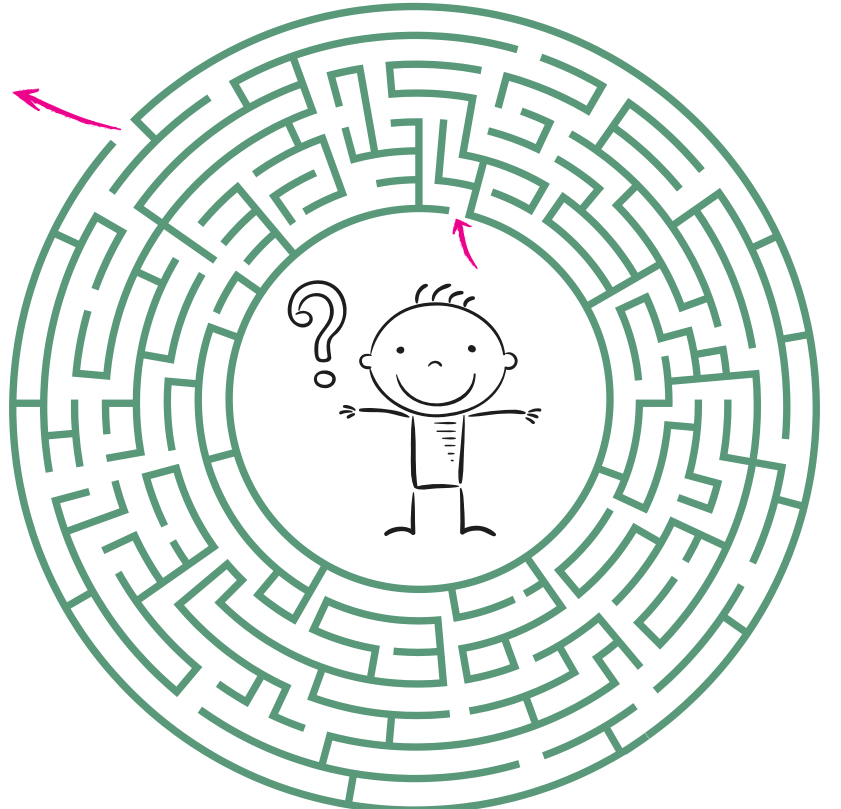
$..... \times 10 = 140$

$..... \times 10 = 20$

$..... \times 10 = 10$

$... \times 10 = 230$

Mücahit'in içinde bulunduğu labirentten çıkmasına yardımcı olur musunuz?



ÇARPMA İŞLEMİ PROBLEMLERİ

1 10 tane ördeğin kaç tane ayağı vardır?

6 Okul için tanesi 6 liradan 4 tane futbol topu aldık. Satıcıya kaç lira ödememiz gerekir?

2 7 tane çocuğun kaç tane burnu vardır?

7 75 sayısının 71 eksiğinin 2 katının 7 fazlası kaçtır?

3 9 tane ineğin kaç tane ayağı vardır?

8 3 sayısının 9 katının 25 eksiği kaçtır?

4 Derya tanesi 8 liradan 4 kitap alıyor. Derya kitapçıya kaç lira verir?

9 70 tl ile alışverişe çıkan Ceren tanesi 10 tl lik tişörtlerden 5 tane alırsa geriye kaç tl sı kalır?

5 8 taksinin kaç tekerleği vardır?

10 5 köpek ile 5 tavuğun ayakları toplamı kaçtır?

ÇARPMA İŞLEMİ PROBLEMLERİ -2-

1 Bir çilekli pastada 8 tane çilek kullanılıyorsa 5 çilekli pastada kaç tane çilek kullanılır?

6 Kümesten günde 3 yumurta alan köylü, 6 günde kaç yumurta alır?

2 Her birinde 6 pantolon olan 5 askıda toplam kaç pantolon vardır?

7 Büşra günde 2 saat internete giriyor. Büşra 8 günde kaç saat internete girmiş olur?

3 Ömer 7 yaşındadır. Annesi Ömer'in yaşının 4 katının, 4 eksigidir. İkisinin yaşları toplamı kaçtır?

8 Bir günde 5 sayfa kitap okuyan İlknur 4 günde kaç sayfa kitap okur?

4 Deniz bir günde 7 kitap okuyor. Deniz 2 günde kaç kitap okur?

9 Günde 6 yumurta satan bir bakkal, 3 günde kaç yumurta satar?

5 Kamil günde 2 kalem kullanıyor. Bir haftada kaç kalem kullanır?

10 Türkü günde 3 şeker yiyor. Türkü 4 günde kaç şeker yer?

● Aşağıda verilen çarpma işlemlerini yapınız.

$$\begin{array}{r} 8 \\ \times 0 \\ \hline \end{array}$$

$$\begin{array}{r} 4 \\ \times 5 \\ \hline \end{array}$$

$$\begin{array}{r} 3 \\ \times 0 \\ \hline \end{array}$$

$$\begin{array}{r} 8 \\ \times 1 \\ \hline \end{array}$$

$$\begin{array}{r} 3 \\ \times 1 \\ \hline \end{array}$$

$$\begin{array}{r} 9 \\ \times 3 \\ \hline \end{array}$$

$$\begin{array}{r} 3 \\ \times 3 \\ \hline \end{array}$$

$$\begin{array}{r} 2 \\ \times 3 \\ \hline \end{array}$$

$$\begin{array}{r} 10 \\ \times 3 \\ \hline \end{array}$$

$$\begin{array}{r} 7 \\ \times 2 \\ \hline \end{array}$$

$$\begin{array}{r} 1 \\ \times 4 \\ \hline \end{array}$$

$$\begin{array}{r} 1 \\ \times 3 \\ \hline \end{array}$$

$$\begin{array}{r} 7 \\ \times 1 \\ \hline \end{array}$$

$$\begin{array}{r} 9 \\ \times 4 \\ \hline \end{array}$$

$$\begin{array}{r} 2 \\ \times 2 \\ \hline \end{array}$$

$$\begin{array}{r} 7 \\ \times 4 \\ \hline \end{array}$$

$$\begin{array}{r} 10 \\ \times 4 \\ \hline \end{array}$$

$$\begin{array}{r} 9 \\ \times 5 \\ \hline \end{array}$$

$$\begin{array}{r} 5 \\ \times 2 \\ \hline \end{array}$$

$$\begin{array}{r} 9 \\ \times 1 \\ \hline \end{array}$$

$$\begin{array}{r} 8 \\ \times 5 \\ \hline \end{array}$$

$$\begin{array}{r} 2 \\ \times 5 \\ \hline \end{array}$$

$$\begin{array}{r} 4 \\ \times 2 \\ \hline \end{array}$$

$$\begin{array}{r} 1 \\ \times 1 \\ \hline \end{array}$$

$$\begin{array}{r} 4 \\ \times 4 \\ \hline \end{array}$$

$$\begin{array}{r} 9 \\ \times 2 \\ \hline \end{array}$$

$$\begin{array}{r} 6 \\ \times 3 \\ \hline \end{array}$$

$$\begin{array}{r} 4 \\ \times 1 \\ \hline \end{array}$$

$$\begin{array}{r} 10 \\ \times 2 \\ \hline \end{array}$$

$$\begin{array}{r} 6 \\ \times 1 \\ \hline \end{array}$$

$$\begin{array}{r} 2 \\ \times 0 \\ \hline \end{array}$$

$$\begin{array}{r} 3 \\ \times 2 \\ \hline \end{array}$$

$$\begin{array}{r} 8 \\ \times 4 \\ \hline \end{array}$$

$$\begin{array}{r} 5 \\ \times 4 \\ \hline \end{array}$$

$$\begin{array}{r} 6 \\ \times 4 \\ \hline \end{array}$$

$$\begin{array}{r} 5 \\ \times 0 \\ \hline \end{array}$$

$$\begin{array}{r} 3 \\ \times 4 \\ \hline \end{array}$$

$$\begin{array}{r} 6 \\ \times 0 \\ \hline \end{array}$$

$$\begin{array}{r} 5 \\ \times 5 \\ \hline \end{array}$$

$$\begin{array}{r} 5 \\ \times 3 \\ \hline \end{array}$$

$$\begin{array}{r} 2 \\ \times 1 \\ \hline \end{array}$$

$$\begin{array}{r} 7 \\ \times 0 \\ \hline \end{array}$$

$$\begin{array}{r} 7 \\ \times 3 \\ \hline \end{array}$$

$$\begin{array}{r} 8 \\ \times 3 \\ \hline \end{array}$$

$$\begin{array}{r} 4 \\ \times 0 \\ \hline \end{array}$$

$$\begin{array}{r} 1 \\ \times 2 \\ \hline \end{array}$$

$$\begin{array}{r} 9 \\ \times 0 \\ \hline \end{array}$$

$$\begin{array}{r} 5 \\ \times 1 \\ \hline \end{array}$$

$$\begin{array}{r} 4 \\ \times 3 \\ \hline \end{array}$$

● Aşağıda verilen çarpma işlemlerini yapınız.

$$\begin{array}{r} 2 \\ \times 3 \\ \hline \end{array}$$
$$\begin{array}{r} 4 \\ \times 3 \\ \hline \end{array}$$
$$\begin{array}{r} 5 \\ \times 3 \\ \hline \end{array}$$
$$\begin{array}{r} 2 \\ \times 2 \\ \hline \end{array}$$
$$\begin{array}{r} 10 \\ \times 1 \\ \hline \end{array}$$
$$\begin{array}{r} 6 \\ \times 5 \\ \hline \end{array}$$
$$\begin{array}{r} 7 \\ \times 3 \\ \hline \end{array}$$

$$\begin{array}{r} 10 \\ \times 2 \\ \hline \end{array}$$
$$\begin{array}{r} 7 \\ \times 1 \\ \hline \end{array}$$
$$\begin{array}{r} 5 \\ \times 1 \\ \hline \end{array}$$
$$\begin{array}{r} 6 \\ \times 1 \\ \hline \end{array}$$
$$\begin{array}{r} 4 \\ \times 1 \\ \hline \end{array}$$
$$\begin{array}{r} 7 \\ \times 4 \\ \hline \end{array}$$
$$\begin{array}{r} 9 \\ \times 4 \\ \hline \end{array}$$

$$\begin{array}{r} 8 \\ \times 1 \\ \hline \end{array}$$
$$\begin{array}{r} 2 \\ \times 1 \\ \hline \end{array}$$
$$\begin{array}{r} 5 \\ \times 5 \\ \hline \end{array}$$
$$\begin{array}{r} 8 \\ \times 5 \\ \hline \end{array}$$
$$\begin{array}{r} 9 \\ \times 1 \\ \hline \end{array}$$
$$\begin{array}{r} 8 \\ \times 0 \\ \hline \end{array}$$
$$\begin{array}{r} 9 \\ \times 5 \\ \hline \end{array}$$

$$\begin{array}{r} 2 \\ \times 0 \\ \hline \end{array}$$
$$\begin{array}{r} 1 \\ \times 4 \\ \hline \end{array}$$
$$\begin{array}{r} 3 \\ \times 1 \\ \hline \end{array}$$
$$\begin{array}{r} 2 \\ \times 4 \\ \hline \end{array}$$
$$\begin{array}{r} 5 \\ \times 2 \\ \hline \end{array}$$
$$\begin{array}{r} 3 \\ \times 4 \\ \hline \end{array}$$
$$\begin{array}{r} 6 \\ \times 4 \\ \hline \end{array}$$

$$\begin{array}{r} 6 \\ \times 2 \\ \hline \end{array}$$
$$\begin{array}{r} 8 \\ \times 4 \\ \hline \end{array}$$
$$\begin{array}{r} 3 \\ \times 2 \\ \hline \end{array}$$
$$\begin{array}{r} 8 \\ \times 2 \\ \hline \end{array}$$
$$\begin{array}{r} 1 \\ \times 2 \\ \hline \end{array}$$
$$\begin{array}{r} 6 \\ \times 0 \\ \hline \end{array}$$
$$\begin{array}{r} 3 \\ \times 5 \\ \hline \end{array}$$

$$\begin{array}{r} 7 \\ \times 0 \\ \hline \end{array}$$
$$\begin{array}{r} 1 \\ \times 1 \\ \hline \end{array}$$
$$\begin{array}{r} 1 \\ \times 3 \\ \hline \end{array}$$
$$\begin{array}{r} 9 \\ \times 3 \\ \hline \end{array}$$
$$\begin{array}{r} 2 \\ \times 5 \\ \hline \end{array}$$
$$\begin{array}{r} 4 \\ \times 4 \\ \hline \end{array}$$
$$\begin{array}{r} 9 \\ \times 2 \\ \hline \end{array}$$

$$\begin{array}{r} 10 \\ \times 4 \\ \hline \end{array}$$
$$\begin{array}{r} 7 \\ \times 2 \\ \hline \end{array}$$
$$\begin{array}{r} 4 \\ \times 2 \\ \hline \end{array}$$
$$\begin{array}{r} 5 \\ \times 4 \\ \hline \end{array}$$
$$\begin{array}{r} 9 \\ \times 0 \\ \hline \end{array}$$
$$\begin{array}{r} 8 \\ \times 3 \\ \hline \end{array}$$
$$\begin{array}{r} 6 \\ \times 3 \\ \hline \end{array}$$

● Aşağıda verilen çarpma işlemlerini yapınız.

$4 \times 3 =$

$2 \times 5 =$

$8 \times 3 =$

$5 \times 4 =$

$1 \times 2 =$

$4 \times 1 =$

$4 \times 0 =$

$4 \times 5 =$

$9 \times 3 =$

$3 \times 5 =$

$7 \times 3 =$

$7 \times 2 =$

$8 \times 2 =$

$2 \times 1 =$

$8 \times 4 =$

$10 \times 4 =$

$9 \times 2 =$

$4 \times 4 =$

$6 \times 2 =$

$4 \times 2 =$

$3 \times 1 =$

$7 \times 5 =$

$10 \times 1 =$

$9 \times 5 =$

$1 \times 3 =$

$2 \times 2 =$

$9 \times 4 =$

$8 \times 1 =$

$6 \times 4 =$

$3 \times 4 =$

$2 \times 4 =$

$6 \times 1 =$

$7 \times 4 =$

$10 \times 0 =$

$8 \times 5 =$

$5 \times 1 =$

$10 \times 2 =$

$5 \times 3 =$

$1 \times 1 =$

$3 \times 2 =$

$1 \times 4 =$

$3 \times 3 =$

$1 \times 5 =$

$2 \times 0 =$

$5 \times 5 =$

$10 \times 5 =$

$5 \times 2 =$

$6 \times 3 =$

$6 \times 0 =$

$9 \times 1 =$

$2 \times 3 =$

$7 \times 1 =$

$10 \times 3 =$

$5 \times 0 =$

● Aşağıda verilen çarpma işlemlerini yapınız.

$2 \times 4 =$

$9 \times 3 =$

$1 \times 2 =$

$2 \times 1 =$

$1 \times 3 =$

$6 \times 2 =$

$7 \times 2 =$

$5 \times 2 =$

$3 \times 2 =$

$3 \times 1 =$

$6 \times 4 =$

$1 \times 1 =$

$10 \times 4 =$

$6 \times 3 =$

$7 \times 3 =$

$9 \times 1 =$

$8 \times 3 =$

$6 \times 1 =$

$4 \times 3 =$

$5 \times 1 =$

$4 \times 2 =$

$3 \times 5 =$

$8 \times 5 =$

$10 \times 5 =$

$8 \times 4 =$

$9 \times 2 =$

$5 \times 5 =$

$1 \times 4 =$

$4 \times 4 =$

$9 \times 0 =$

$4 \times 1 =$

$5 \times 4 =$

$8 \times 1 =$

$8 \times 2 =$

$7 \times 5 =$

$2 \times 3 =$

$9 \times 5 =$

$4 \times 5 =$

$2 \times 0 =$

$7 \times 4 =$

$2 \times 2 =$

$5 \times 3 =$

$1 \times 5 =$

$3 \times 4 =$

$6 \times 0 =$

$7 \times 0 =$

$9 \times 4 =$

$6 \times 5 =$

$8 \times 0 =$

$3 \times 3 =$

$4 \times 0 =$

$10 \times 2 =$

$3 \times 0 =$

$2 \times 5 =$